

S45

Stainless Steel Integral HP Worm Speed Reducer

0.25 - 1HP, 248 - 345 in-lbs, 17.2 - 250RPM

- Stainless steel housing for food processing, medical and pharmaceutical applications
- Interchangeability with most global manufacturers



TECHNICAL DATA

S45								
Output Speed (RPM)	Ratio	Motor Power (HP)	Output Torque (in-lbs)	Service Factor	OHL	Nom. Torque (in-lbs)	Reducer Part Number*	Gearmotor Part Number*
250	7	1	202	1.3	187	257	RS45-0007-HSB2S-W	GS45-0007-HSB2S-WAE3B
		0.5	101	2.5				GS45-0007-HSB2S-WAC3B
175	10	0.75	213	1.2	202	257	RS45-0010-HSB2S-W	GS45-0010-HSB2S-WAE3B
		0.5	142	1.8				GS45-0010-HSB2S-WAC3B
125	14	0.5	194	1.3	225	257	RS45-0014-HSB2S-W	GS45-0014-HSB2S-WAC3B
		0.25	97	2.6				GS45-0014-HSB2S-WAA3B
83.3	21	0.5	253	1.4	247	345	RS45-0021-HSB2S-W	GS45-0021-HSB2S-WAC3B
		0.25	127	2.7				GS45-0021-HSB2S-WAA3B
62.5	28	0.5	328	1.1	270	345	RS45-0028-HSB2S-W	GS45-0028-HSB2S-WAC3B
		0.25	164	2.1				GS45-0028-HSB2S-WAA3B
47.3	37	0.33	277	1.2	315	345	RS45-0037-HSB2S-W	GS45-0037-HSB2S-WAB3B
		0.25	210	1.6				GS45-0037-HSB2S-WAA3B
38.0	46	0.33	323	1.1	315	345	RS45-0046-HSB2S-W	GS45-0046-HSB2S-WAB3B
		0.25	244	1.4				GS45-0046-HSB2S-WAA3B
29.2	60	0.25	303	1.1	315	345	RS45-0060-HSB2S-W	GS45-0060-HSB2S-WAA3B
25.0	70	0.25	340	0.8	405	257	RS45-0070-HSB2S-W	GS45-0070-HSB2S-WAA3B
17.2	102	0.25	405	<0.8	450	248	RS45-0102-HSB2S-W	GS45-0102-HSB2S-WAA3B

Notes: All units shown are standard configuration. Input motor, output shaft and mounting options are available.

Motor Specification:
230/460 VAC 60/50Hz,
3PH 1800 RPM
Nom. - inverter duty

*NEMA Input Sizes:

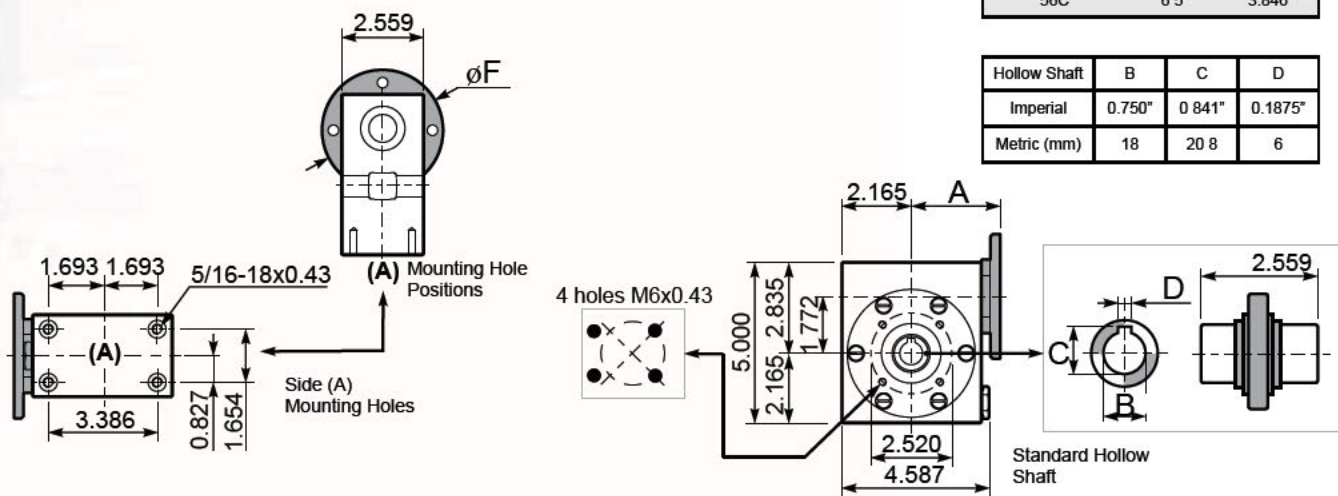
W = 56C
X = 143/5TC
Y = 182/4TC

DRAWINGS

Basic Gearbox

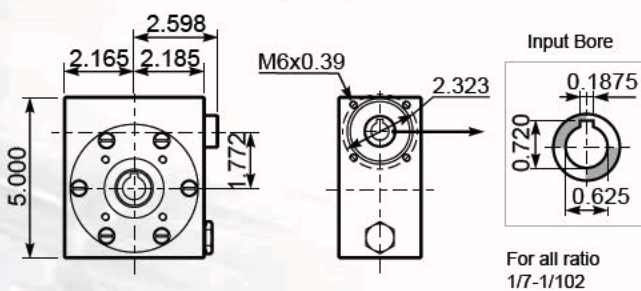
S45	Nema Flanges	øF	A
	56C	6 5"	3.846"

Hollow Shaft	B	C	D
Imperial	0.750"	0.841"	0.1875"
Metric (mm)	18	20.8	6

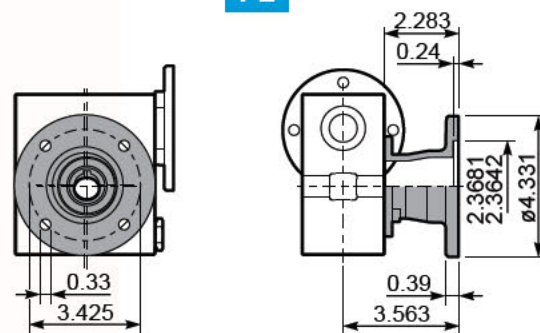


Modular Base

SB

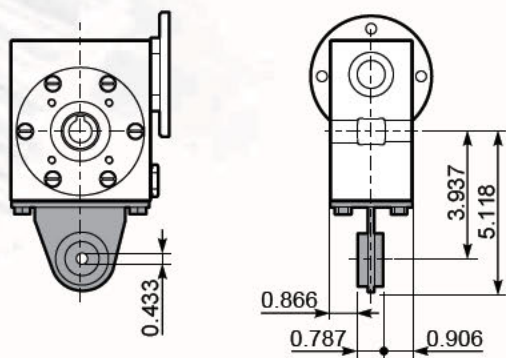


F2



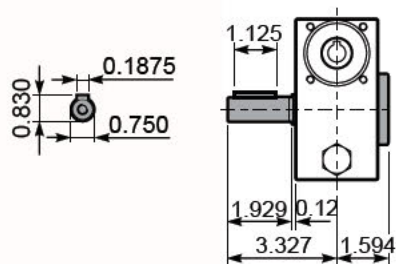
Torque Arm

TA



Output Shaft Insert

R/L



Gearbox Weight **11.0** pounds